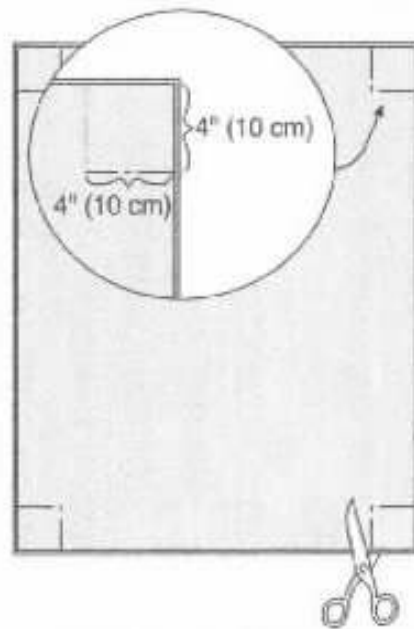


How to make a "no-sew" Blanket of Hope

Materials needed: Two pieces of fleece - MUST be 45"- 62" wide x 50"- 80" long. Bright colors are good, but patriotic colors and patterns work well. One panel can be a pattern and the other panel a solid - your choice.

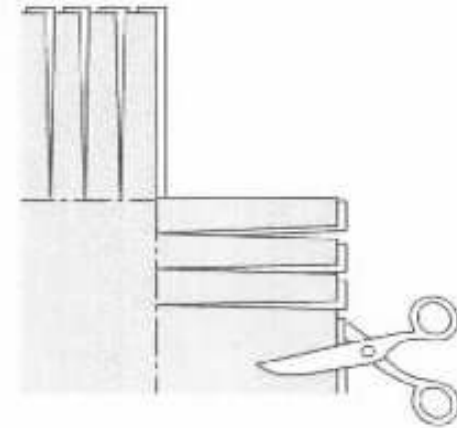
1. Trim selvages and square off ends, cutting both pieces of fleece the same size. Place fleece pieces, **WRONG** sides together, with outside edges even. Mark and cut away a 4" square from each corner.



2. Mark a line for the fringe 4" from each edge, (see illustration).



3. To make fringe, cut both layers from outer edge - 4" deep x 1" wide (see illustration).



4. Starting in one corner, tie one piece of fringe from each piece together, using an overhand knot. Continue around entire blanket, taking care not to stretch the fringe.



Note: When your blanket is finished, roll it tight, tie it with a patriotic ribbon, and attach your personal message! Be sure and include your name/address/email.